



## infsoft Locator Node

The infsoft Locator Node is a compact hardware component including Wi-Fi, Bluetooth Low Energy (BLE) and Ultra-wideband (UWB) radio interfaces. It expands the capability of this module to an internal USB-A connection.

It also provides a mini USB connector to connect a terminal, infsoft 360° Antenna and to provide power to the Locator Node (5V). A RJ45 connector can be used to link this device to ethernet using 10BaseT or 100BaseT. Additionally, PoE can be used for powering the Locator Node.

### Features:

#### Dimensions:

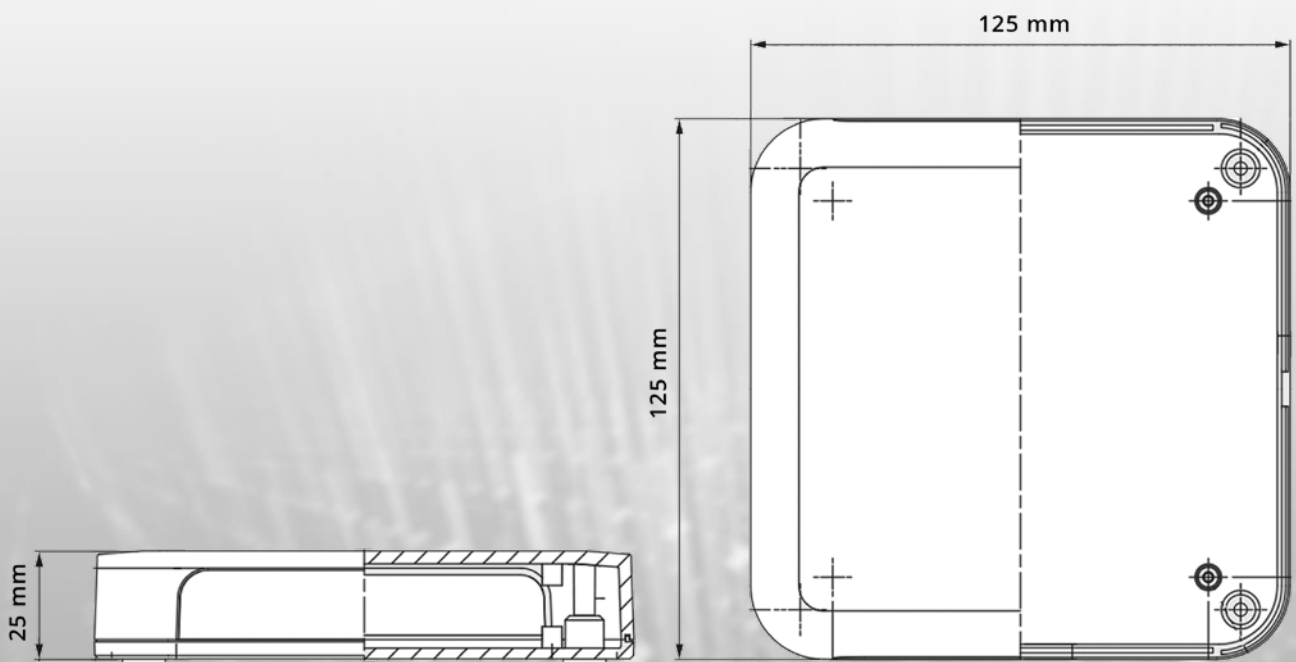
- approx. 125mm x 125mm x 25mm (LxWxH)

#### Connections:

- Wi-Fi 802.11 a/b/g/n, 2.4GHz / 5GHz
- External RJ45 connection (Ethernet, 10/100 Base-T, PoE support)
- External mini USB connection (terminal, 5V power)
- Internal USB-A connection

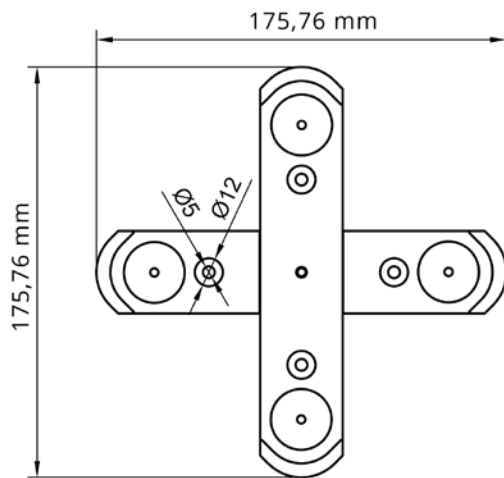
#### Sensors:

- Wi-Fi, Bluetooth, Bluetooth Low Energy (BLE), Ultra-wideband (UWB)
- RFID (optional/external), CCTV camera (optional/external), GPS (optional/external)



## Installation:

insoft Locator Nodes can be mounted on a ceiling or wall. The flexible mounting solution (sold separately) is magnetic and has 4 boreholes with a diameter of 5 mm each.



## Frontpanel layout:

The maximum sum of current which can be drawn depends on the source of power. The Locator Node itself draws about 1.5W, peak 2.0W.



## PoE Electrical specifications at 25°C:

PARAMETER	CONDITION	MIN	TYP	MAX	UNITS
<b>POWER INTERFACE</b>					
Input Voltage	Applied to the power pins of connectors J1 or J3	0	-	57	V
Operating Voltage	After start up	30	-	57	V
Input UVLO	Rising input voltage at device terminals	-	-	40	V
	Falling input voltage	30.5	-	-	V
Detection Voltage	At device terminals	1.4	-	10.01	V
Classification Voltage	At device terminals	11.9	-	23.00	V

## UWB Channels:

UWB CHANNEL NUMBER	CENTRE FREQUENCY (MHz)	BAND (MHz)	BANDWIDTH (MHz)
1	3494.4	3244.8 – 3744	499.2
2	3993.6	3774 – 4243.2	499.2
3	4492.8	4243.2 – 4742.4	499.2
4	3993.6	3328 – 4659.2	1331.2
5	6489.6	6240 – 6739.2	499.2
7	6489.6	5980.3 – 6998.9	1081.6

### Imprint

© **insoft GmbH 2019**. This content is protected by copyright. All rights to content and design are with insoft GmbH. You may not copy, republish, modify or transfer this work without prior written and agreed consent of insoft. Our content is regularly edited and carefully checked. However, we do not accept any liability with respect to the correctness, completeness and current status of the information offered here. All mandatory legal details can be found under: [www.insoft.com/company/contact](http://www.insoft.com/company/contact)



**insoft GmbH**  
Ingolstädter Str. 13  
85098 Großmehring  
Germany

**Contact**  
Phone +49 8407 939 680 0  
Fax +49 8407 939 680 12  
[contact@insoft.com](mailto:contact@insoft.com)  
[www.insoft.com](http://www.insoft.com)